



## LowFlow introduces new Control Valve: The 708MAX

LowFlow Valve is excited to announce the newest addition to our line of LowFlow control valves, the MK708MAX.

The MK708MAX is a valuable addition to our line of precision globe-style control valves giving our control valve line the ability to get into higher flow applications. The LowFlow MK708Max will have a CV range from 6.5-10 (5.6 - 8.65kv), utilize the 35M actuator, and allow for a maximum inlet pressure of 1,000psi. All accessories that would normally be offered on a MK708 will be offered for the MK-708MAX.

These valves are typically used in applications such as high-pressure gases, aerospace/fuel testing, refining/chem/petrochemical, and pilot plants/R&D.

This product is important, as it allows LowFlow to extend its value proposition(s) into new, higher flow applications.



### Product Highlights

- Capable of handling 1,000psi (69 bar) inlet pressures at 100°F (38°C) - the competition only goes up to 720psi (50bar)
- CVs ranging from 6.5-10 (5.6 - 8.65kv)
- Body Material Options- Bronze, Carbon Steel, and Stainless.
- Available in 1" (DN25)

### Applications

- High Pressure Gas
- Aerospace/Fuel Testing
- Refining/Chem/Petrochem
- Pilot Plants/R&D

A Division of Jordan Valve  
3170 Wasson Road  
Cincinnati, OH 45209  
toll free. 800.543.7311  
local. 513.533.5600  
fax. 513.871.0105

To learn more about the 708MAX Series, [Click Here.](#)



## 708MAX Series Specifications

Sizes: 1" (DN25)

### Body Materials

- Body B61 Bronze
- WCB Carbon Steel
- CF8M Stainless Steel

### Bonnet Materials

- CF8M Stainless Steel

### Trim Materials

- 316L Stainless Steel

### Body Seals

- Teflon Gasket

### Soft Seat

- PEEK, available for 6.5 Cv

### Shut Off

- Class IV hard seats, Class VI - Soft Seats

### Optional Materials of Construction

- On Application

### End Connections

- FNPT, others to be added as needed

### Actuator Materials

- Steel – 35M

### Flow Capacity

- 6.5 Cv (5.6 Kv)
- 10 Cv (8.65kv)

### Maximum Operating Pressure (FNPT)

- up to 500 psi (BR) or 1000 psi (CS/S6) max inlet @ 100°F

### Pressure @ Maximum Operating Temperature (FNPT)

- 350 psi max inlet @ 450°F (BR), 1000psi max inlet @ 450°F (CS), 990 psi max inlet @ 450°F (CS)

### Stem Packing

- Standard: spring-loaded TFE/Chevron (to 450°F/232°C)
- Optional: braided or Graphite/Grafoil

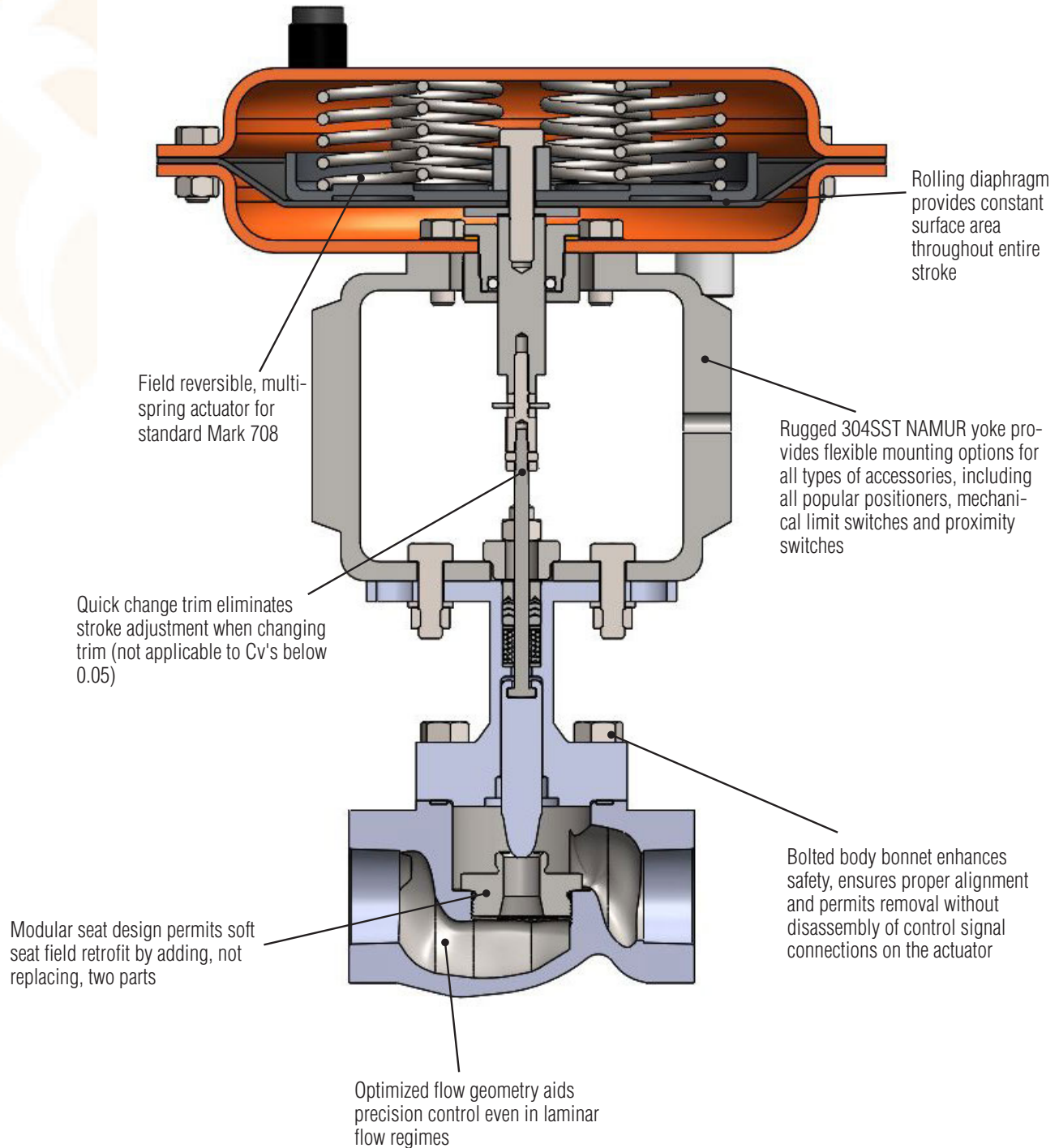
Action	Range	10Cv - 0.875 in orifice	6.5 Cv - 0.470 in orifice
<b>Reverse (ATO)</b>	3-15 @ air cutoff	150	810
	6-30 @ air cutoff	210	1000
<b>Direct (ATC)</b>	3-15 w/20 psi air	150	810
	6-30 w/40 psi air	480	1000

A Division of Jordan Valve  
3170 Wasson Road  
Cincinnati, OH 45209

toll free. 800.543.7311  
local. 513.533.5600  
fax. 513.871.0105



### 708MAX Features and Benefits



A Division of Jordan Valve  
3170 Wasson Road  
Cincinnati, OH 45209  
toll free. 800.543.7311  
local. 513.533.5600  
fax. 513.871.0105